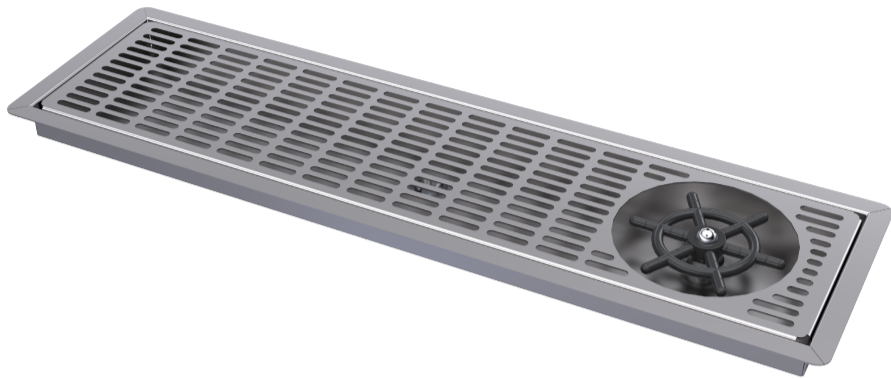




# SIMPLY STAINLESS

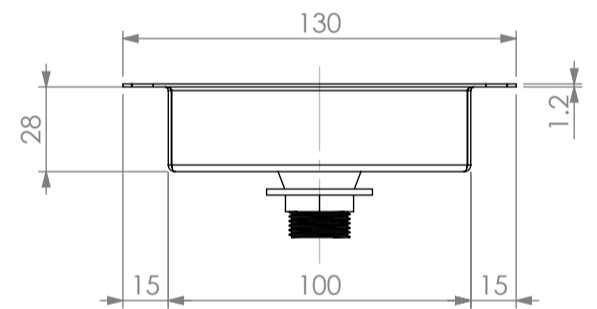
Modular Bar Solutions



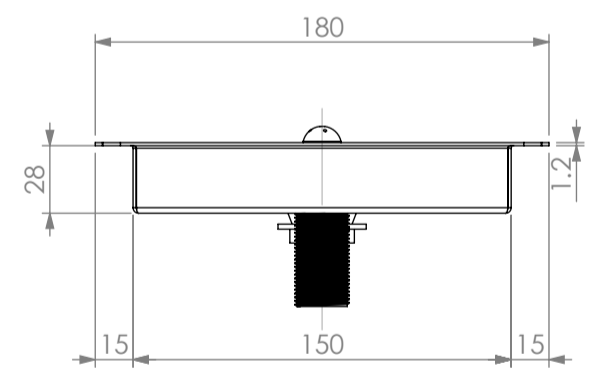
WMTS.101  
WM-040293  
SIMPLY STAINLESS  
Model Number : SBM-DT-GR

**WITH GLASS RINSE**

**WITHOUT GLASS RINSE**



WITHOUT GLASS RINSE



WITH GLASS RINSE

SPECIFICATION	
Material	- 1.2mm Stainless steel.
Drip tray	- Fully integrate jug rinser Watermark approved. (GR Models only) - Stainless steel drip tray. - 1/2" BSP drain spigot.

SBM-DT/GR	DRIP TRAY	
	Product Code	Dimensions (mm)
	SBM-DT-0300	330x130x28
	SBM-DT-0600	630x130x28
	SBM-DT-0900	930x130x28
	SBM-DT-GR-0300	330x180x28
	SBM-DT-GR-0600	630x180x28